

PROLINE

pulz[®]

ENERGY SERIES

EP2P



FEATURES

- Convenient mounting options
- 90° H x 40° V dispersion
- High SPL
- Smooth frequency response on and off axis
- Professional construction
- High quality components

The Pulz EP2P 2-Way Passive Speaker System has been developed as a cost effective solution for use in small to medium size auditoriums.

The system consists of 2 X 12" low frequency driver in conjunction with 1.75" voice coil high frequency driver of high sonic quality and dynamic range.

The 90° horizontal and 40° vertical pattern control horn exhibits uniform HF response throughout the cinema auditorium. The dual 12" drivers are independently loaded in a direct radiator bass-reflex enclosure. This technique avoids "sympathetic failure" and provides better interface options with the amplifiers.

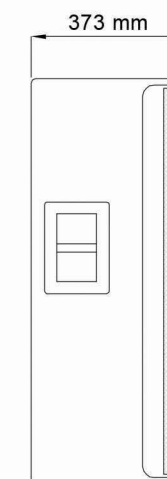
The enclosure is built with 15 mm Birch Plywood with black abrasion resistant structured coating to withstand different weather conditions. The large port area reduces turbulence at full power output and low frequencies. A 4-Way speakon connector ensures secure connection to the speaker. Mounting options are provided to either club it with a subwoofer or mount the system on walls with the help of additional rigging accessories.

EP2P system incorporates a critically designed passive crossover due to which the system can be driven with a single channel of amplifier.

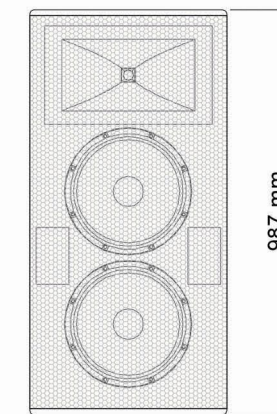
All components feature a textured black finish to eliminate the reflection of light through perforated cinema screens.

SPECIFICATIONS:

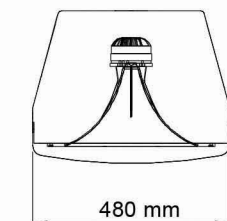
Frequency Response:	50Hz to 20kHz
Power Rating:	800W AES, 2400W peak
Sensitivity:	100dB @ 1W/1m
Maximum SPL:	127dB continuous, 133dB peak @ 1m
Nominal Impedance:	4Ω
Low Frequency Driver:	2 x 12" (250 mm) weather resistant long throw woofer
High Frequency Driver:	1.75" (44 mm) voice coil compression driver
Crossover:	1.2kHz Passive, low loss air core inductors and MKP capacitors
Dispersion:	90° Horizontal, 40° Vertical
Finish:	Black impact resistant structured coating
Connector:	1 X Speakon
Enclosure:	15 mm Birch Plywood direct radiator vented enclosure with mounting options
Grill:	Acoustically transparent perforated steel with foam backing
Dimensions (H X W X D):	987 mm X 480 mm X 373 mm (39" X 19" X 14.7")
Net Weight:	50 kg (110 lb)
Packed Weight:	53 kg (117 lb)



SIDE VIEW



FRONT VIEW



TOP VIEW

ESUB218



FEATURES

- 2 X 18" (450 mm) long throw weather resistant woofer
- High power handling
- High SPL
- Low thermal compression
- Maximum efficiency bandwidth volume

The Pulz ESub218 Subwoofer System has been developed for indoor as well as touring systems. The system is capable of high power output, low distortion and smooth frequency response to the lowest audible frequencies down to 35Hz.

The ESub218 is loaded with dual 18" drivers in a direct radiator bass-reflex enclosure. The drivers incorporate a 3" high temperature stabilized voice coil for high power handling and reduced power compression. The specially treated cone is weather resistant and can withstand extremely severe climatic conditions. The four vents accurately load the drivers and reduce turbulence at full power output and low frequencies.

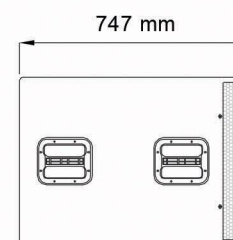
When used with CX12 or CX15, the ESub218 is ideal for medium size Front of House. Multiple ESub218 can be operated for large Front of House.

With power handling capacity of 1200W (4800W peak) and response to 35Hz, the ESub218 is the answer for applications requiring additional low frequency extension at high SPL from a medium sized enclosure.

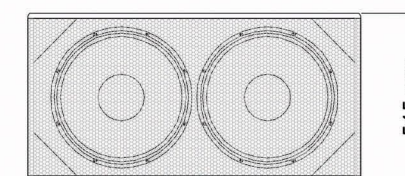
Other typical applications include distributed subwoofer systems for club, open air systems or concert halls.

SPECIFICATIONS:

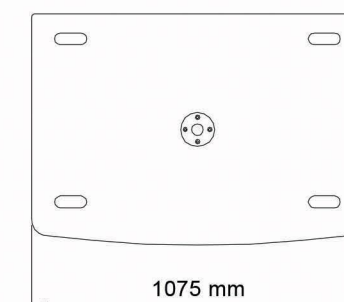
Frequency Response:	35Hz to 200Hz
Power Rating:	1200W AES, 4800W peak
Sensitivity:	101dB @ 1W/1m
Maximum SPL:	131.5dB continuous, 137.5dB peak @ 1m
Nominal Impedance:	4Ω
Transducers:	2 X 18" (450 mm) long throw weather resistant woofer
Recommended Filter:	30Hz 18dB/octave Butterworth High pass filter 80 – 120Hz 24dB Linkwitz Riley Low pass filter
Finish:	Black impact resistant structured coating
Connector:	1 X Speakon
Enclosure:	Bass reflex type, 15 mm Birch Plywood with 4 built handles and Satellite pole mount option
Grill:	Acoustically transparent perforated steel with foam backing
Dimensions (H X W X D):	545 mm X 1075 mm X 747 mm (21.5" X 42.3" X 29.4")
Net Weight:	87 kg (192 lb)
Packed Weight:	90 kg (198 lb)



SIDE VIEW



FRONT VIEW



TOP VIEW

sound matters



Pulz Electronics Ltd.

Kailashpati, 2nd Floor,
Plot 10A, Veera Desai Road,
Andheri (W), Mumbai 400 053, India
Tel: +91 22 2673 2593

www.pulz.co.in

Pulz reserves the right to make changes in specifications without prior notice.